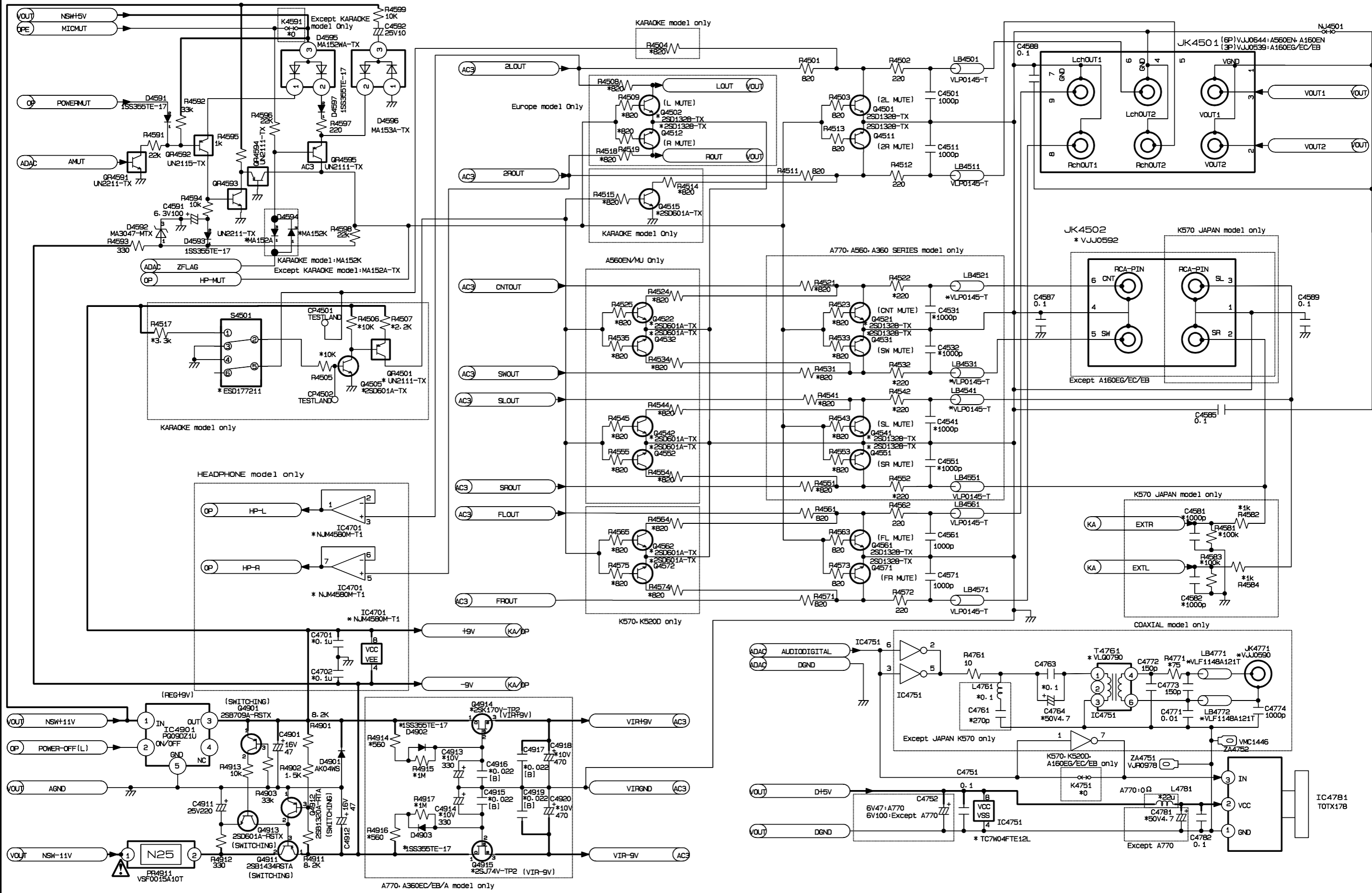


Ref. No. 24501-24599
Ref. No. 24701-24799
Ref. No. 24901-24949
audio-out/mother (4/5)

IMPORTANT SAFETY NOTICE:
COMPONENTS IDENTIFIED WITH THE MARK  HAVE THE SPECIAL CHARACTERISTICS FOR SAFETY.
WHEN REPLACING ANY OF THESE COMPONENTS, USE ONLY THE SAME TYPE.

NOTE: DO NOT USE THE PART NUMBER SHOWN ON THIS DRAWING FOR ORDERING.
THE CORRECT PART NUMBER IS SHOWN IN THE PARTS LIST, AND MAY BE
SLIGHTLY DIFFERENT OR AMENDED SINCE THIS DRAWING WAS PREPARED.



G
F
E
D
C
B
A

1 2 3 4 5 6 7 8 9 10